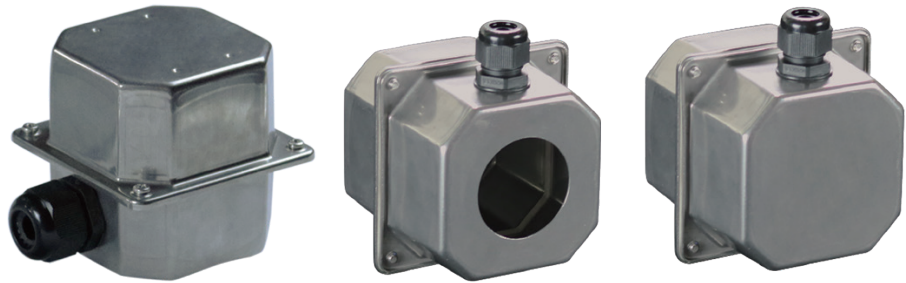


Medium size enclosure for immersion heater or temperature sensor

| Size(mm) | Volume(cm ³) | Material | Protection grade | | Model |
|-----------------|--------------------------|-----------------|------------------|-----|-------------|
| 105 × 105 × 102 | 757 | stainless steel | IP69K | IK7 | Y3S5 |

Suitable for

- Temperature sensor
- Immersion heater
- Finned heater
- Thermostat
- Level sensor
- Electronic board



Links



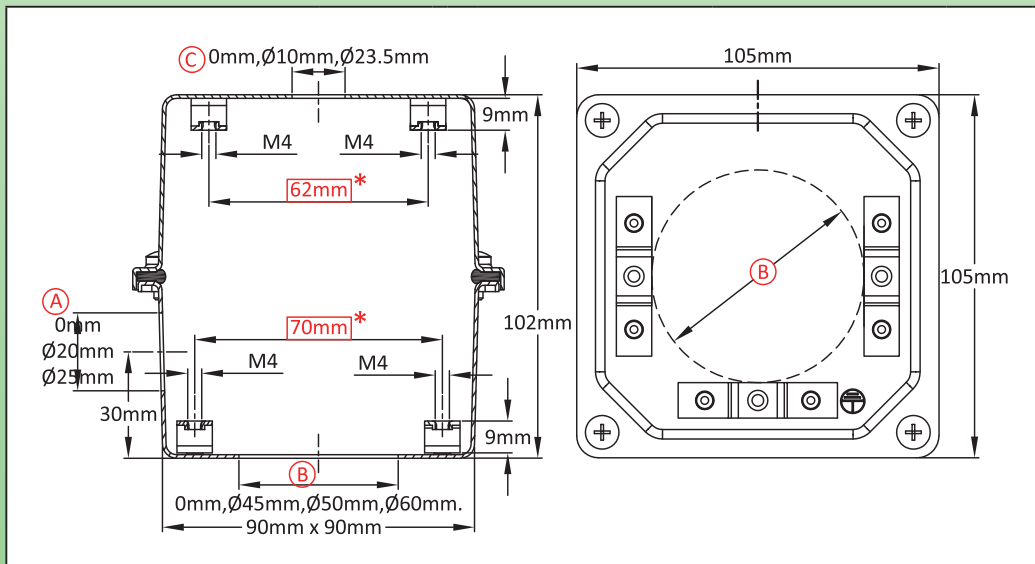
Page
(.pdf)



Drawing 2D
(.dwg)



Drawing 3D
(.stp)



Main references

| (A) (mm) | (B) (mm) | (C) (mm) | 304 | 316 | (A) (mm) | (B) (mm) | (C) (mm) | 304 | 316 | (A) (mm) | (B) (mm) | (C) (mm) | 304 | 316 |
|-------------|-------------|-------------|------------------|------------------|-------------|-------------|-------------|------------------|------------------|-------------|-------------|-------------|------------------|------------------|
| 0 | 0 | 0 | Y3S5000000G1008 | Y3S5000000G1009 | 20 | 0 | 0 | Y3S50000120G1008 | Y3S50000120G1009 | 25 | 0 | 0 | Y3S50000125G1008 | Y3S50000125G1009 |
| 0 | 0 | 10 | Y3S5000A000G1008 | Y3S5000A000G1009 | 20 | 0 | 10 | Y3S5000A120G1008 | Y3S5000A120G1009 | 25 | 0 | 10 | Y3S5000A125G1008 | Y3S5000A125G1009 |
| 0 | 0 | 23.5 | Y3S5000D000G1008 | Y3S5000D000G1009 | 20 | 0 | 23.5 | Y3S5000D120G1008 | Y3S5000D120G1009 | 25 | 0 | 23.5 | Y3S5000D125G1008 | Y3S5000D125G1009 |
| 0 | 45 | 0 | Y3S54500000G1008 | Y3S54500000G1009 | 20 | 45 | 0 | Y3S54500120G1008 | Y3S54500120G1009 | 25 | 45 | 0 | Y3S54500125G1008 | Y3S54500125G1009 |
| 0 | 45 | 10 | Y3S5450A000G1008 | Y3S5450A000G1009 | 20 | 45 | 10 | Y3S5450A120G1008 | Y3S5450A120G1009 | 25 | 45 | 10 | Y3S5450A125G1008 | Y3S5450A125G1009 |
| 0 | 45 | 23.5 | Y3S5450D000G1008 | Y3S5450D000G1009 | 20 | 45 | 23.5 | Y3S5450D120G1008 | Y3S5450D120G1009 | 25 | 45 | 23.5 | Y3S5450D125G1008 | Y3S5450D125G1009 |
| 0 | 50 | 0 | Y3S55000000G1008 | Y3S55000000G1009 | 20 | 50 | 0 | Y3S55000120G1008 | Y3S55000120G1009 | 25 | 50 | 0 | Y3S55000125G1008 | Y3S55000125G1009 |
| 0 | 50 | 10 | Y3S5500A000G1008 | Y3S5500A000G1009 | 20 | 50 | 10 | Y3S5500A120G1008 | Y3S5500A120G1009 | 25 | 50 | 10 | Y3S5500A125G1008 | Y3S5500A125G1009 |
| 0 | 50 | 23.5 | Y3S5500D000G1008 | Y3S5500D000G1009 | 20 | 50 | 23.5 | Y3S5500D120G1008 | Y3S5500D120G1009 | 25 | 50 | 23.5 | Y3S5500D125G1008 | Y3S5500D125G1009 |
| 0 | 60 | 0 | Y3S56000000G1008 | Y3S56000000G1009 | 20 | 60 | 0 | Y3S56000120G1008 | Y3S56000120G1009 | 25 | 60 | 0 | Y3S56000125G1008 | Y3S56000125G1009 |
| 0 | 60 | 10 | Y3S5600A000G1008 | Y3S5600A000G1009 | 20 | 60 | 10 | Y3S5600A120G1008 | Y3S5600A120G1009 | 25 | 60 | 10 | Y3S5600A125G1008 | Y3S5600A125G1009 |
| 0 | 60 | 23.5 | Y3S5600D000G1008 | Y3S5600D000G1009 | 20 | 60 | 23.5 | Y3S5600D120G1008 | Y3S5600D120G1009 | 25 | 60 | 23.5 | Y3S5600D125G1008 | Y3S5600D125G1009 |

Cable gland not included in these reference, consult us if you want them.

Red dimensions inside rectangular frames are used for accessories assembly.

Because of permanent improvement of our products, drawings, descriptions, features used on these data sheets are for guidance only and can be modified without prior advice.

